



WR-137 Waveguide H-Bend with CPR-137G  
Flange Operating from 5.85 GHz to 8.2 GHz

TECHNICAL DATA SHEET

PE-W137B004

**Electrical Specifications**

Description	Minimum	Typical	Maximum	Units
Frequency Range	5.85		8.2	GHz
VSWR			1.08:1	
Insertion Loss		0.15		dB

**Mechanical Specifications**

Waveguide Size	WR-137		
Waveguide Design	Standard		
Description	Flange 1	Waveguide	Flange 2
Interface	CPR-137G	WR-137	CPR-137G
Material	Copper Alloy	Copper Alloy	Copper Alloy
Plating	Paint	Paint	Paint

**Compliance Certifications** (visit [www.Pasternack.com](http://www.Pasternack.com) for current document)

RoHS Compliant

Notes:

- Values at +25 °C, sea level

Click the following link (or enter part number in "SEARCH" on website) to obtain additional part information including price, inventory and certifications: [WR-137 Waveguide H-Bend with CPR-137G Flange Operating from 5.85 GHz to 8.2 GHz PE-W137B004](#)

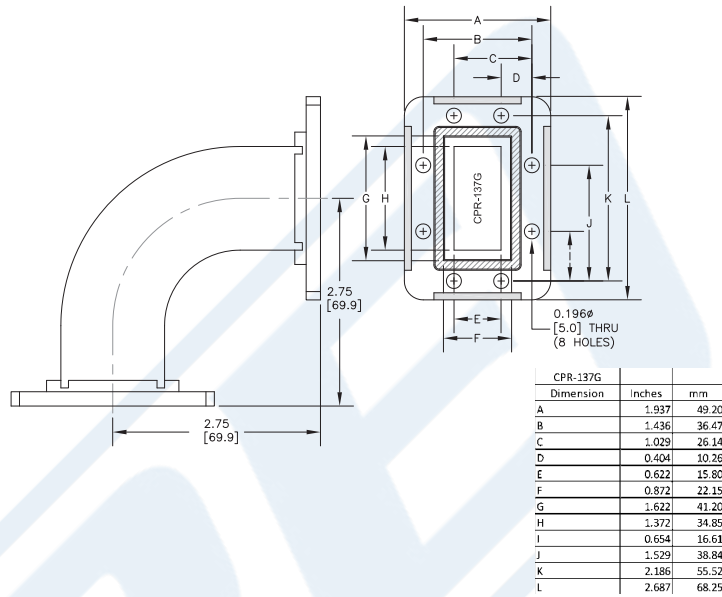


WR-137 Waveguide H-Bend with CPR-137G  
Flange Operating from 5.85 GHz to 8.2 GHz

TECHNICAL DATA SHEET

PE-W137B004

Outline Drawing



WR-137 Waveguide H-Bend with CPR-137G Flange Operating from 5.85 GHz to 8.2 GHz from Pasternack Enterprises has same day shipment for domestic and International orders. Our RF, microwave and millimeter wave products maintain a 99% availability and are part of the broadest selection in the industry.

Click the following link (or enter part number in "SEARCH" on website) to obtain additional part information including price, inventory and certifications: [WR-137 Waveguide H-Bend with CPR-137G Flange Operating from 5.85 GHz to 8.2 GHz PE-W137B004](http://www.pasternack.com/wr-137-waveguide-h-bend-5.85-8.2-ghz-pe-w137b004-p.aspx)

URL: <http://www.pasternack.com/wr-137-waveguide-h-bend-5.85-8.2-ghz-pe-w137b004-p.aspx>

The information contained in this document is accurate to the best of our knowledge and representative of the part described herein. It may be necessary to make modifications to the part and/or the documentation of the part, in order to implement improvements. Pasternack reserves the right to make such changes as required. Unless otherwise stated, all specifications are nominal. Pasternack does not make any representation or warranty regarding the suitability of the part described herein for any particular purpose, and Pasternack does not assume any liability arising out of the use of any part or documentation.