

DC Block Device for Satellite Navigation Applications (GPS, Galileo, EGNOS, GLONASS, BDS/BEIDOU) with Type N Connectors

**GPS – L1, L2, L5, BDS
Galileo, EGNOS
WASS, GLONASS**



Features:

- ✦ Frequency 1.10GHz – 1.70GHz
- ✦ Excellent RF Performance
- ✦ DC Blocking to prevent DC Propagation
- ✦ Incorporated Surge/Lightning Protection
- ✦ L-Bracket and Wire Lug Available
- ✦ RoHS Compliant
- ✦ DC Block only (No Injection or Take-Off)

RF Specifications

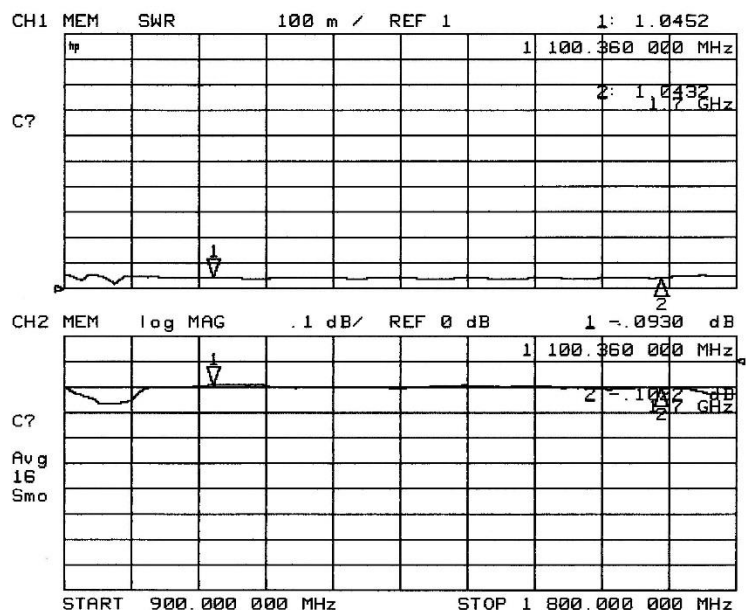
Frequency (GHz)	VSWR	Insertion Loss (dB)
1.10 - 1.70	1.10 typ	0.10 typ

- ✦ Nominal Impedance – 50Ω
- ✦ RF Power: 5 watts

Transient Specifications

(1.2X50μs Voltage / 8X20μs Current waveform)

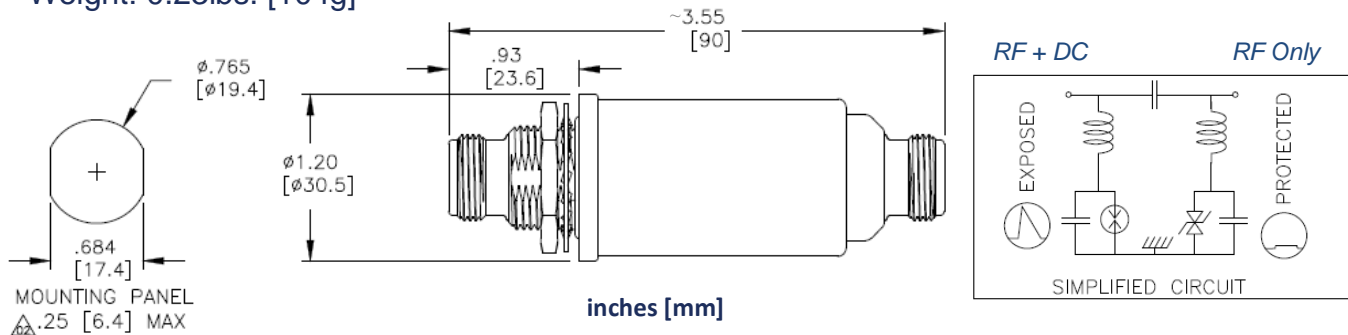
- ✦ Response Time: 10ns
- ✦ Maximum Transient (I_{max}): 30kA 1x
- ✦ Multiple Strike (I_N): 20kA 10x
- ✦ DC Voltage: 25Vdc Nominal, 30Vdc Max
- ✦ Let-Through: 5Vpk



Typical VSWR and Insertion Loss

Mechanical Specifications

Weight: 0.23lbs. [104g]



Recommended Panel/Bulkhead Mounting Torque: 15ft-lbs (20.3Nm)

**Optional – for Mounting Bracket order P/N 750-0632-00
for Wire Lug (6AWG) order P/N 504-0045-03**

Material and Finish

Component	Material ¹	Finish
Outer Parts	Aluminum	Nickel
Connectors - Outer Contact	Brass	Nickel
Connectors - Center Contact	BeCu	Gold
Insulator	PTFE	-
Gasket	SIL	-

¹Special materials are available for extreme environments

Environmental Specifications

Temperature Range	-50°C to +90°C
Salt Fog	MIL-STD-202 Method 101D / Condition B (35°C/48 hrs)
Immersion	MIL-STD-202 Method 104A / Condition A (65°C to 25°C w/NaCl – 2 cycles)
Moisture Resistance	MIL-STD-202 Method 106E (65°C/98% RH condensing/240 hrs)
Temperature Shock	MIL-STD-202 Method 107D / Condition B-1 (25 cycles -65°C to +125°C)
Life (Elevated Temperature)	MIL-STD-202 Method 108A / Condition A (96 hours at 100°C)
Dust and Waterproof Rating	IEC529 IP68 (dust-tight and water proof 24 hrs / 1 m)
Vibration	MIL-STD-202 Method 204D / Condition D (10Hz-2kHz 0.06"DA/20g)
Mechanical Shock	MIL-STD-202 Method 213 / Condition A (50g/11ms ~24")