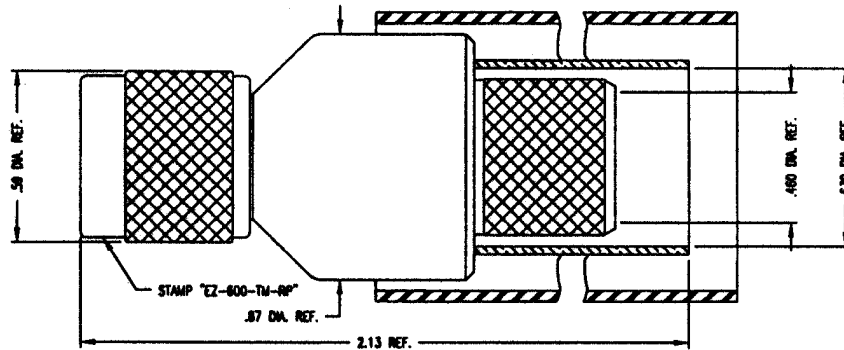


THE REVISION STATUS OF ALL SHEETS OF THIS DRAWING IS THE SAME AS SHEET 1

| LTR | DESCRIPTION | DATE | BY |
|-----|-------------|---------|-----|
| - | Released | 6/14/99 | JCL |
| | | | |



I. MATERIALS & FINISHES

- center contact: Gold Plated Beryllium Copper – female pin
- outer contact: Alballoy Plated Brass
- body: Alballoy Plated Brass
- coupling nut: Alballoy Plated Brass
- crimp sleeve: Alballoy Plated Copper
- dielectric: Teflon® PTFE
- gasket: Silicone Rubber
- shrink sleeve: Adhesive Lined Polyolefin
- crimp size: .610" hex

II. ELECTRICAL PROPERTIES

- impedance: 50 ohms
- working voltage: 500 vrms (max)
- vswr: 1.25:1 (max) up to 3 GHz
- insertion loss: 0.1 x \sqrt{F} ghz

Australian Representatives
ROJONE, PTY LTD.
 Tel: 02 9829 1555
 E: sales@rojone.com.au
 www.rojone.com.au

Unless otherwise specified, dimensions are in inches. Tolerances are applicable when specified.

These drawings and specifications contain proprietary information which is the property of Times Microwave Systems.

| Approvals | | |
|-----------|-----|---------|
| Drawn | JCL | 6/14/99 |
| Check | | |
| Prj. Mgr. | | |
| Prd. Mgr. | | |
| QA Mgr. | | |

TIMES MICROWAVE SYSTEMS
 Wallingford, CT 06492
 (203) 949-8400; (203) 949-8423.Fax
 www.timesmicrowave.com

EZ-600-TM-RP
Reverse Polarity TNC Male (female pin)
for LMR-600 Cable

| | | |
|--------|---------------------------|---------------------------------|
| Size A | CAGE CODE 68999 | Drawing No.: 3190-796 |
|--------|---------------------------|---------------------------------|

Scale: NA Rev. () Sheet: 1 of 1