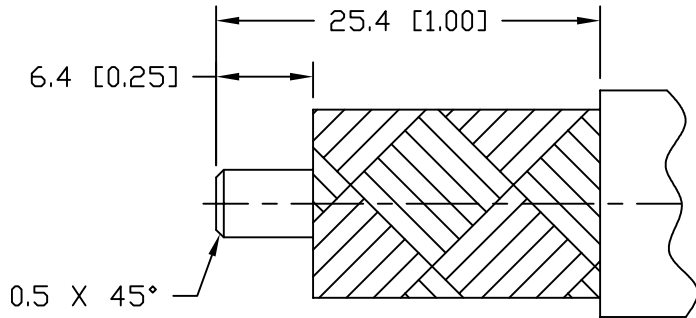


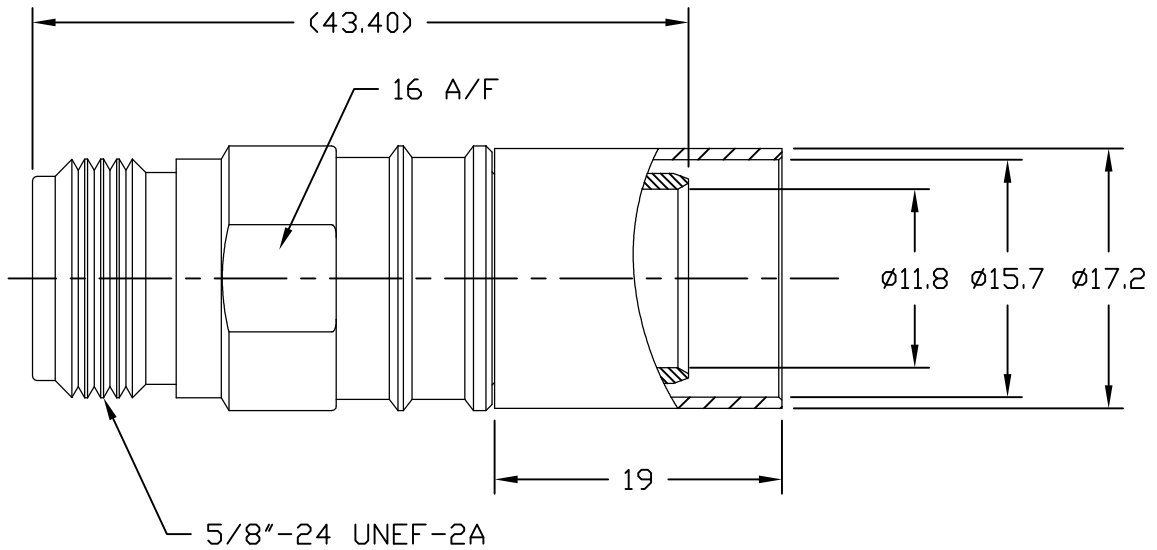
NOTICE OF PROPRIETARY RIGHTS THIS DOCUMENT CONTAINS CONFIDENTIAL TECHNICAL DATA, INCLUDING TRADE SECRETS, PROPRIETARY TO TIMES MICROWAVE SYSTEMS. DISCLOSURE OF THIS DATA IS EXPRESSLY CONDITIONED UPON YOUR ASSENT THAT ITS USE IS LIMITED TO USE WITHIN YOUR COMPANY ONLY. ANY OTHER USE IS STRICTLY PROHIBITED WITHOUT THE PRIOR WRITTEN CONSENT OF TIMES MICROWAVE SYSTEMS.

SYM	REVISION DESCRIPTION	DFTM	DATE	APPD	DATE
A	RELEASED FOR PRODUCTION	D. J. H.	12/12/12	J. D. B.	12/12/12

Australian Representatives
ROJONE, PTY LTD.
 Tel: 02 9829 1555
 E: sales@rojone.com.au
 www.rojone.com.au

CABLE PREP.
 USE CST-600
 (3192-052)
 .610" HEX.



Reference Standard IEC60169-16

I. Electric Performance

Nominal Impedance(Ω):	50
Frequency Range:	DC-6GHz
VSWR:	≤ 1.30
Insert Loss(dB):	$\leq 0.1(0-3GHz)$
Insulation resistance(M Ω):	≥ 5000
Proof Voltage(V)	2500
Conductor resistance(m Ω)	outer conductor <0.4 inner conductor <0.8

II. Mechanical Performance

Retention	$\geq 0.56N$
Mechanical Wear(hypo-)	500
Tensile force(cable-connector)	500N
Torsion(cable-connector)	5N.m

III. Material and plating

Component	Material	Plating
Inner conductor	Spring Bronze	Au 1.27 μ m over Chemistry Nickel 3 μ m
Outer conductor	Brass	Copper-tin-zinc 2 μ m
Tube	Copper	Copper-tin-zinc 2 μ m
Insulator	PTFE	

IV. Environment

Temp. range	-55 $^{\circ}C$ ~+155 $^{\circ}C$
Weather standard	IEC 60068 55 / 155/ 56
Thermal shock	US MIL-STD 202, Meth.107, Cond.B
Vibration	US MIL-STD 202, Meth.204, Cond.B
Shock	US MIL-STD 202, Meth.213, Cond.I
	ROHS Compliant

V. Assembly: inner conductor installed and outer conductor crimped

MATERIAL:	UNLESS OTHERWISE SPECIFIED	DFTM.	D. J. H.	TIMES MICROWAVE SYSTEMS			
		DATE	12/12/12				
USED ON: 0-0	ALL DIMENSIONS ARE IN mm MACHINED SURFACES FINISH N/A RMS MAX. REMOVE ALL BURRS N/A MAX. BREAK MACHINE CORNERS N/A MAX. FILLET R. TOLERANCES ON DECIMALS . XX \pm N/A . XXX \pm N/A ANGLES \pm 1 $^{\circ}$ FRACTIONS \pm N/A	CHKD.	J. D. B.	EZ-600-NF-X N FEMALE FOR LMR-600 CABLE EZ/CRIMP/NO BRAID TRIM			
		DATE	12/12/12				
		APPD.	J. D. B.				
SCALE: N/A	DWG. SIZE: A	DO NOT SCALE DRAWING	CODE IDENT: 68999	DATE: 12/12/12	SHEET: 1 of 1	SD3190-2817	REV: A