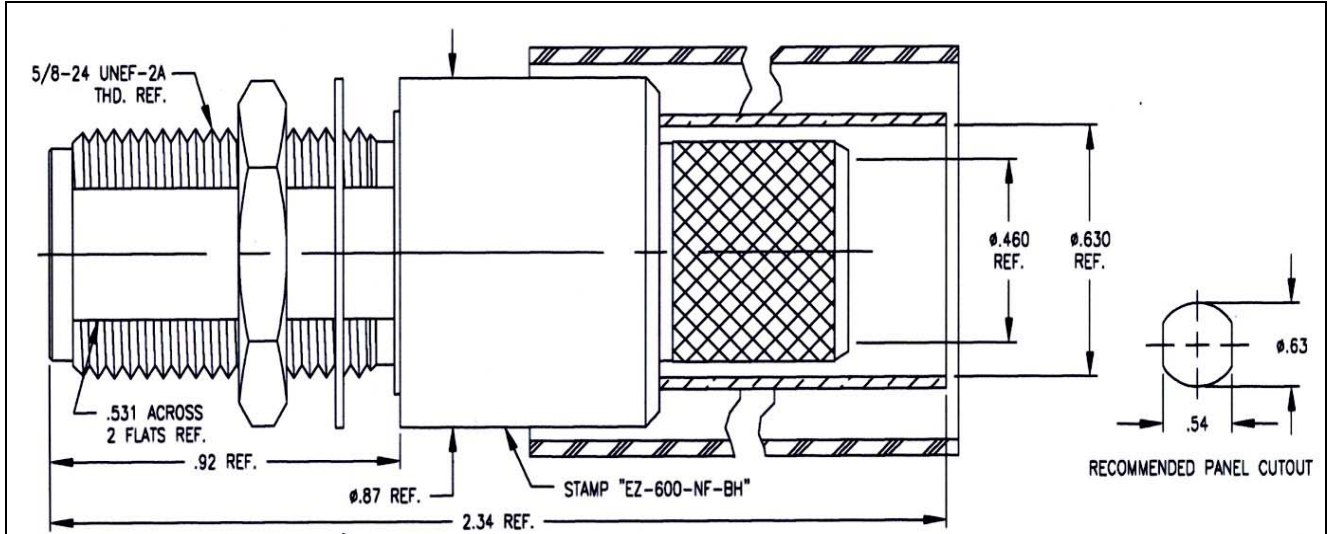


LTR	DESCRIPTION	DATE	BY
-	Released	10/27/97	JCL



I. MATERIALS & FINISHES

- center contact: Gold Plated Beryllium Copper (non-solder)
- outer contact: Silver Plated Brass
- body: Silver Plated Brass
- crimp sleeve: Silver Plated Copper
- lockwasher: Spring Steel
- hex nut:: Silver Plated Brass
- dielectric: Teflon® PTFE
- gasket: Silicone Rubber
- shrink sleeve: Adhesive Lined Polyolefin
- attachment: braid crimp

II. ELECTRICAL PROPERTIES

- impedance: 50 ohms
- working voltage: 1000 vrms (max)
- vswr: 1.25:1 (max) up to 2.5 GHz
- insertion loss: 0.10 x √Fghz


Australian Representatives
ROJONE, PTY LTD.
 Tel: 02 9829 1555
 E: sales@rojone.com.au
 www.rojone.com.au

Unless otherwise specified, dimensions are in inches. Tolerances are applicable when specified.

These drawings and specifications contain proprietary information which is the property of Times Microwave Systems.

Approvals		
Drawn	JCL	10/27/97


TIMES MICROWAVE SYSTEMS
 Wallingford, CT 06492
 (203) 949-8400; (203) 949-8423.Fax
 www.timesmicrowave.com

EZ-600-NF-BH

Type-N female (jack) Bulkhead
for LMR-600 Cable

Size A	CAGE CODE 68999	Drawing No.: 3190-616
--------	---------------------------	---------------------------------

Scale: NA	Rev. (-)	Sheet: 1 of 1
-----------	----------	---------------