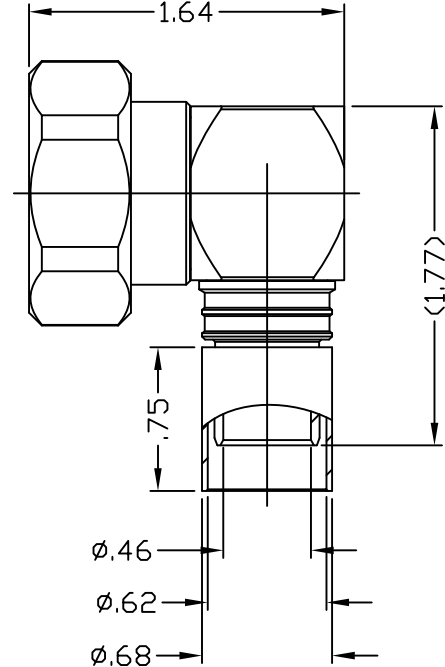
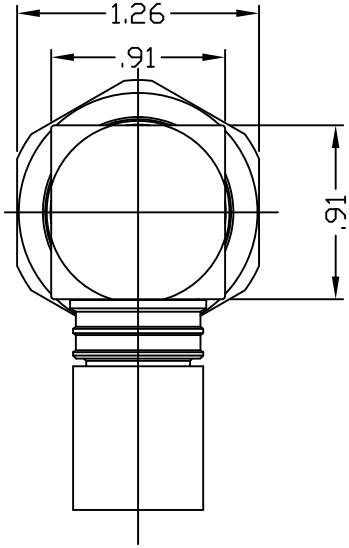


NOTICE OF PROPRIETARY RIGHTS THIS DOCUMENT CONTAINS CONFIDENTIAL TECHNICAL DATA, INCLUDING TRADE SECRETS, PROPRIETARY TO TIMES MICROWAVE SYSTEMS. DISCLOSURE OF THIS DATA IS EXPRESSLY CONDITIONED UPON YOUR ASSENT THAT ITS USE IS LIMITED TO USE WITHIN YOUR COMPANY ONLY. ANY OTHER USE IS STRICTLY PROHIBITED WITHOUT THE PRIOR WRITTEN CONSENT OF TIMES MICROWAVE SYSTEMS.

SYM	REVISION DESCRIPTION	DFTM	DATE	APPD	DATE
A	RELEASED FOR PRODUCTION	K.A.M.	3/31/10	J.B.D.	5/17/10



Reference standard IEC60169-4

I Electric Performance

Nominal Impedance(Ω): 50
 Frequency Range: DC-3GHz
 VSWR: ≤ 1.15
 INSERT LOSS: ≤ 0.1
 Insulation resistance(M Ω) 10000
 Proof voltage(V) 4000
 Conductor resistance(m Ω) outer conductor ≤ 0.2
 inner conductor ≤ 0.8

II Mechanical Performance

Pin torque 25N.m
 (Nut)Whorl pull 1000N
 Tensile force(cable-connect) 500N
 Torsion(cable-connect) 5N.m

III Material and plating

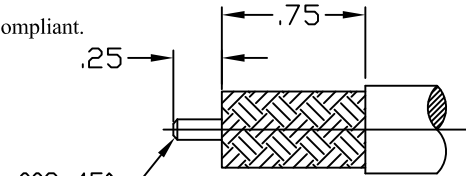
Component	Material	Plating
Inner conductor	Spring Copper	Ag 200 micro inches
Outer conductor	Brass	Copper-tin-zin (Albaloy) 150 micro inches
Ferrule	Copper	Copper-tin-zin (Albaloy) 150 micro inches
Nut	Brass	Copper-tin-zin (Albaloy) 150 micro inches
Gasket	Silicone rubber	
Insulator	PTFE	

IV Environment


Temp.range -55 $^{\circ}$ C~+155 $^{\circ}$ C
 Weather standard IEC 60068 55 / 155/ 56
 Thermal shock US MIL-STD 202,Meth.107,Cond.B
 Vibration US MIL-STD 202,Meth.204,Cond.B
 Shock US MIL-STD 202,Meth.213,Cond.I
 Waterproofing standard IP67

V Assembly: inner conductor installed and outer conductor crimped

VI ROHS Compliant.



Recommended cable stripping Dim's

MATL:	UNLESS OTHERWISE SPECIFIED		DFTM. K. A. M.	TIMES MICROWAVE SYSTEMS
	ALL DIMENSIONS ARE IN INCHES		DATE 3/31/10	
USED ON: 0	 Australian Representatives ROJONE, PTY LTD. Tel: 02 9829 1555 E: sales@rojone.com.au www.rojone.com.au		CHKD. J. D. B.	90° 7/16 MALE FOR LMR600 CABLE
			DATE 5/17/10	
SCALE: ~	DWG. SIZE A	DO NOT SCALE DRAWING	APPD. E. P.	1 of 1 SD3190-2546 A
		CODE IDENT 68999	DATE 5/17/10	