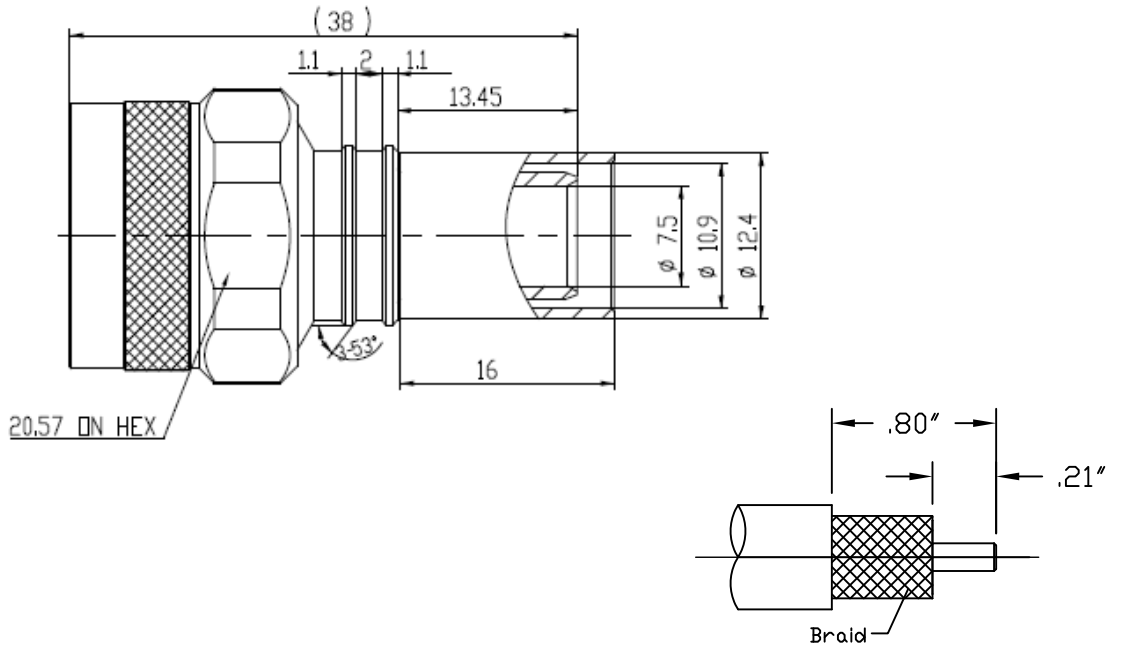


NOTICE OF PROPRIETARY RIGHTS THIS DOCUMENT CONTAINS CONFIDENTIAL TECHNICAL DATA, INCLUDING TRADE SECRETS, PROPRIETARY TO TIMES MICROWAVE SYSTEMS. DISCLOSURE OF THIS DATA IS EXPRESSLY CONDITIONED UPON YOUR ASSENT THAT ITS USE IS LIMITED TO USE WITHIN YOUR COMPANY ONLY. ANY OTHER USE IS STRICTLY PROHIBITED WITHOUT THE PRIOR WRITTEN CONSENT OF TIMES MICROWAVE SYSTEMS.

| SYM | REVISION DESCRIPTION | DFTM | DATE | APPD | DATE |
|-----|-------------------------|-------|----------|--------|---------|
| A | RELEASED FOR PRODUCTION | N.N.N | 11/18/13 | J.D.B. | 12/3/13 |



Reference standard IEC60169-16

I. Electric Performance
 Impedance(Ω): 50
 Frequency Range: DC-6GHz
 VSWR: ≤ 1.3
 Insert Loss: (dB) ≤ 0.05
 Insulation resistance (M Ω) >5000
 Proof voltage (V) 1500
 Conductor resistance (m Ω)
 outer conductor <0.4
 inner conductor <0.8

IV. Environment
 Temperature -40 $^{\circ}$ C~+85 $^{\circ}$ C
 Weather standard IEC 60068 40 / 085/ 21
 Thermal shock US MIL-STD 202,Meth.107,Cond.B
 Vibration US MIL-STD 202,Meth.204,Cond.B
 Shock US MIL-STD 202,Meth.213,Cond.I
 Waterproofing standard IP67

V. Assemble: inner conductor installed and outer conductor crimped

II. Mechanical Performance
 Nut torque 5N.m
 (Nut)Whorl pull 500N
 Tensile force(cable-connector) 400N
 Torsion(cable-connector) 2N.m

III. Material and plating :

| | | |
|-----------------|------------------|---|
| Component | Material | Plating |
| Inner conductor | Beryllium Bronze | Au50 micro inches over nickel 100 over copper |
| Outer conductor | Brass | Copper-tin-zinc 100-150 micro inches |
| Tube: | copper | Copper-tin-zinc 100-150 micro inches |
| Nut: | Brass | Copper-tin-zinc 100-150 micro inches |
| Gasket: | Silicone rubber | |
| Insulator: | PTFE | |

Australian Representatives
ROJONE, PTY LTD.
 Tel: 02 9829 1555
 E: sales@rojone.com.au
 www.rojone.com.au

| | | | | | | | |
|-----------------|----------------------------|----------------------|------------------|--|--------------|-------------|-------|
| MATERIAL: | UNLESS OTHERWISE SPECIFIED | | DFTM. N. N. N | TIMES MICROWAVE SYSTEMS | | | |
| | ALL DIMENSIONS ARE IN mm | | DATE 11/18/13 | | | | |
| USED ON: O-0 | | | CHKD. J. D. B. | EZ-400-NMH-PL-X CONNECTOR, NM FOR LMR400-LLPL | | | |
| | | | DATE 12/3/13 | | | | |
| | | | APPD. J. D. B. | | | | |
| SCALE: ~ | DWG. SIZE A | DO NOT SCALE DRAWING | CODE IDENT 68999 | DATE 12/3/13 | SHEET 1 of 1 | SD3190-2961 | REV A |