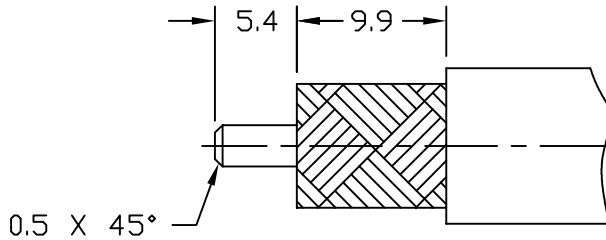


NOTICE OF PROPRIETARY RIGHTS THIS DOCUMENT CONTAINS CONFIDENTIAL TECHNICAL DATA, INCLUDING TRADE SECRETS, PROPRIETARY TO TIMES MICROWAVE SYSTEMS. DISCLOSURE OF THIS DATA IS EXPRESSLY CONDITIONED UPON YOUR ASSENT THAT ITS USE IS LIMITED TO USE WITHIN YOUR COMPANY ONLY. ANY OTHER USE IS STRICTLY PROHIBITED WITHOUT THE PRIOR WRITTEN CONSENT OF TIMES MICROWAVE SYSTEMS.

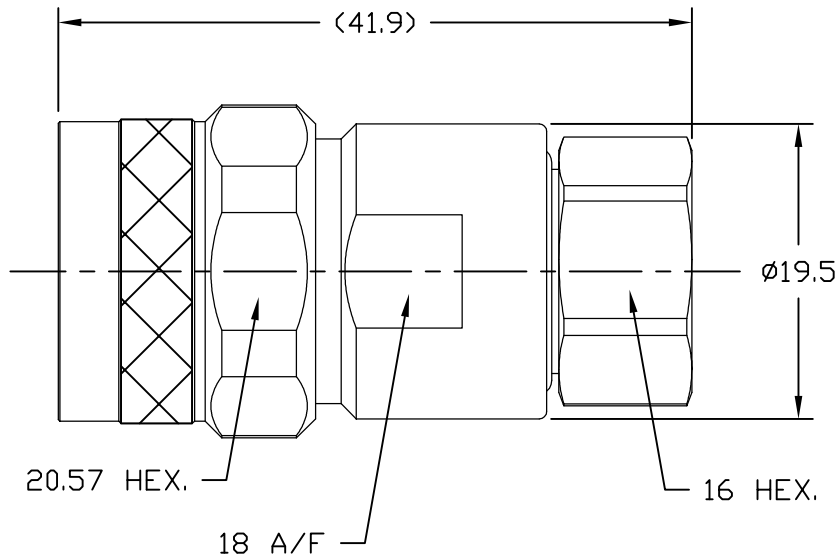
SYM	REVISION DESCRIPTION	DFTM	DATE	APPD	DATE
A	RELEASED FOR PRODUCTION	K.A.M.	5/20/11	J.D.B.	6/9/11
B	CHANGED PER CDC #40731	D.J.H.	9/4/14	J.D.B.	9/9/14



Australian Representatives
ROJONE, PTY LTD.
 Tel: 02 9829 1555
 E: sales@rojone.com.au
 www.rojone.com.au



CABLE PREP.
 USE CST-400
 (3192-004)
 "CLAMP" SETTING



Reference standard IEC61169-16

I. Electric Performance

Nominal Impedance(Ω): 50
 Frequency Range: DC-6GHz
 VSWR: ≤1.35
 INSERT LOSS: (dB) ≤ 0.10 (0-3GHz)
 Insulation resistance(MΩ) >5000
 Proof Voltage(V) 2500
 Conductor resistance(mΩ) outer conductor <0.4
 inner conductor <0.8

II. Mechanical Performance

Whorl Pull 500N
 Nut torque 5N.m
 Tensile Force (cable-connect) 400N
 Torsion (cable-connect) 2N.m

III. Material and plating :

Component	Material	Plating
Inner conductor	Beryllium copper	Au>1.27μm
Outer conductor	Brass	Copper-tin-zinc>2μm
Insulator	PTFE	
Nut	Brass	Copper-tin-zinc>2μm

IV. Environment

Temp.range -55°C~+155°C
 Thermal shock IEC60068-2-14-Na
 Vibration IEC60068-2-6-Fc
 Shock IEC60068-2-27
 Weather standard IEC 68 55 / 155/ 56
 Waterproofing Standard IP67
 ROHS Compliant

V. Assembly: inner and outer conductor installed

MATL:	UNLESS OTHERWISE SPECIFIED	DFTM. K. A. M.	TIMES MICROWAVE SYSTEMS
		DATE 5/20/11	
USED ON: V1 RO	ALL DIMENSIONS ARE IN mm MACHINED SURFACES FINISH N/A RMS MAX. REMOVE ALL BURRS N/A MAX. BREAK MACHINE CORNERS N/A MAX. FILLET R. TOLERANCES ON DECIMALS . XX ± N/A . XXX ± N/A ANGLES ± N/A FRACTIONS ± N/A	CHKD. J. D. B.	EZ-400-NMC-2-D "N" MALE FOR LMR-400 CABLE
		DATE 6/9/11	
SCALE: N/A	DWG. SIZE A	APPD. J. D. B.	SHEET 1 of 1 SD3190-2640 REV B
DO NOT SCALE DRAWING	CODE IDENT 68999	DATE 6/9/11	