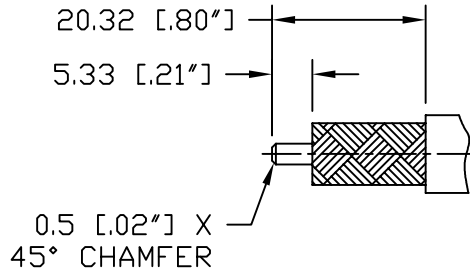


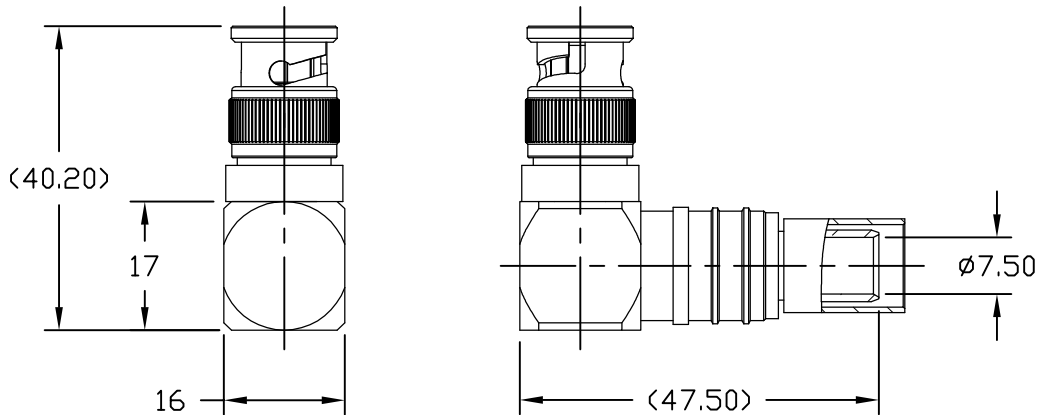
**NOTICE OF PROPRIETARY RIGHTS** THIS DOCUMENT CONTAINS CONFIDENTIAL TECHNICAL DATA, INCLUDING TRADE SECRETS, PROPRIETARY TO TIMES MICROWAVE SYSTEMS. DISCLOSURE OF THIS DATA IS EXPRESSLY CONDITIONED UPON YOUR ASSENT THAT ITS USE IS LIMITED TO USE WITHIN YOUR COMPANY ONLY. ANY OTHER USE IS STRICTLY PROHIBITED WITHOUT THE PRIOR WRITTEN CONSENT OF TIMES MICROWAVE SYSTEMS.

SYM	REVISION DESCRIPTION	DFTM	DATE	APPD	DATE
A	RELEASED FOR PRODUCTION	D. J. H.	3/26/13	J. D. B.	3/27/13


**Australian Representatives**  
**ROJONE, PTY LTD.**  
 Tel: 02 9829 1555  
 E: sales@rojone.com.au  
 www.rojone.com.au



CABLE PREP.  
 USE CST-400  
 (3192-004)  
 .429" HEX.



Reference Standard IEC60169-8

**I. Electric Performance**

Nominal Impedance( $\Omega$ ):	50
Frequency Range:	DC-4GHz
VSWR:	$\leq 1.35$
Insert Loss(dB):	$\leq 0.1$
Insulation resistance(M $\Omega$ )	$\geq 5000$
Withstand Voltage(V)	1500
Conductor resistance(m $\Omega$ )	outer conductor <0.4 inner conductor <1.5

**II. Mechanical Performance**

Tensile force(cable-connect)	400N
Torsion(cable-connect)	2N.m

**III. Material and plating**

Component	Material	Plating
Inner conductor	Spring copper	Au 1.27 $\mu$ m
Outer conductor	Brass	Copper-tin-zinc 2 $\mu$ m
Insulator	PTFE	
O-ring	Silicone rubber	

**IV. Environment**

Temp. range	-55°C~+155°C
Weather standard	IEC 60068 55 / 155/ 56
Thermal shock	US MIL-STD 202, Meth.107, Cond.B
Vibration	US MIL-STD 202, Meth.204, Cond.B
Shock	US MIL-STD 202, Meth.213, Cond.I
ROHS Compliant	

V. Assembly: inner conductor installed and outer conductor crimped

MATL:	UNLESS OTHERWISE SPECIFIED		DFTM. D. J. H.	TIMES MICROWAVE SYSTEMS
	ALL DIMENSIONS ARE IN mm MACHINED SURFACES FINISH N/A RMS MAX. REMOVE ALL BURRS N/A MAX. BREAK MACHINE CORNERS N/A MAX. FILLET R. TOLERANCES ON DECIMALS . XX $\pm$ N/A . XXX $\pm$ N/A ANGLES $\pm 1^\circ$ FRACTIONS $\pm$ N/A		DATE 3/26/13	
USED ON: O-1			CHKD. J. D. B.	<b>EZ-400-BM-RA-X</b> 90° BNC MALE FOR LMR-400 CABLE EZ/CRIMP/NO BRAID TRIM
			DATE 3/27/13	
SCALE: N/A	DWG. SIZE A	DO NOT SCALE DRAWING	APPD. J. D. B.	SHEET 1 of 1
			DATE 3/27/13	
		CODE IDENT 68999		REV A