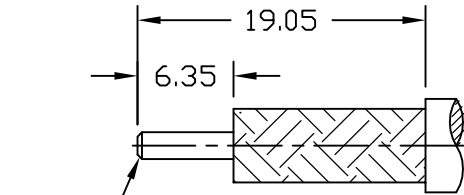
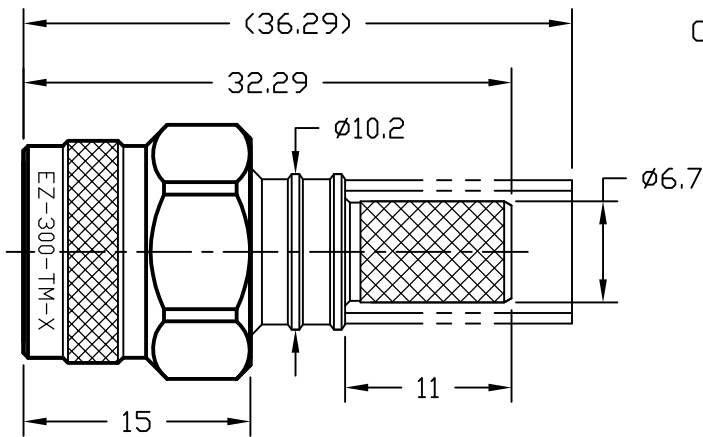


NOTICE OF PROPRIETARY RIGHTS THIS DOCUMENT CONTAINS CONFIDENTIAL TECHNICAL DATA, INCLUDING TRADE SECRETS, PROPRIETARY TO TIMES MICROWAVE SYSTEMS. DISCLOSURE OF THIS DATA IS EXPRESSLY CONDITIONED UPON YOUR ASSENT THAT ITS USE IS LIMITED TO USE WITHIN YOUR COMPANY ONLY. ANY OTHER USE IS STRICTLY PROHIBITED WITHOUT THE PRIOR WRITTEN CONSENT OF TIMES MICROWAVE SYSTEMS.

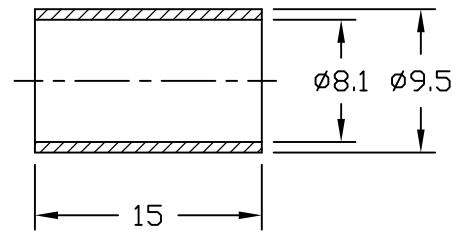
SYM	REVISION DESCRIPTION	DFTM	DATE	APPD	DATE
A	RELEASED FOR PRODUCTION	D. J. H.	10/24/08	J. D. B.	10/24/08
B	CHANGED PER CDC #29443	D. J. H.	12/16/08	J. D. B.	12/18/08
C	CHANGED PER CDC #31608	K. A. M.	4/21/10	J. D. B.	4/23/10
D	CHANGED PER CDC #34190	D. J. H.	3/8/12	J. D. B.	3/12/12



Australian Representatives
ROJONE, PTY LTD.
 Tel: 02 9829 1555
 E: sales@rojone.com.au
 www.rojone.com.au



CABLE PREPARATION
 USE CST-300 (3192-084)
 STRAIGHT SETTING



NOTES:

1. CRIMP THE FERRULE TO .324" HEX.
2. CONTACT PIN IS CAPTIVATED.

ALL PARTS SATISFIED ROHS REQUIREMENTS

MATERIALS AND PLATING		UNIT: MICRO-INCHES
BODY/SHELL	BRASS PER C3604	ALBALOY 80 MIN/COPPER
CONTACT PIN	Be-Cu C17300	GOLD 50 MIN/ NICKEL/COPPER
INSULATOR	TEFLON MIL-P-19468	NATURAL
GASKET	SILICONE	RED
FERRULE	BRASS	ALBALOY 80 MIN/COPPER

ELECTRICAL CHARACTERISTICS	
Impedance	50 Ω
Voltage rating	500V(rms)
Frequency range	0~6GHz
Dielectric withstanding voltage	1000V
Contact resistance	Center contact: ≤1.5mΩ Outer contact: ≤1m Ω
Insulation resistance	≥5000MΩ
Insertion Loss	According to the cable

MECHANICAL CHARACTERISTICS	
Force to engage and disengage	6 lbs MAX.
Center contact retention force	6 lbs MIN.
Coupling torque	20 in-lbs
Coupling nut retention force	100 lbs
Durability	≥ 500 cycles

ENVIRONMENTAL CHARACTERISTICS	
Temperature range	-55°C - +125°C
Vibration	MIL-STD-202,Method 204,Cond B
Shock	MIL-STD-202,Method 213,Cond G
Corrosion	MIL-STD-202,Method 101,Cond B

MATL:	UNLESS OTHERWISE SPECIFIED ALL DIMENSIONS ARE IN mm MACHINED SURFACES FINISH N/A RMS MAX. REMOVE ALL BURRS .005 MAX. BREAK MACHINE CORNERS .005 MAX. FILLET R. TOLERANCES ON DECIMALS .XX ± .03 .XXX ± .005 ANGLES ± 1° FRACTIONS ± 1/32	DFTM. D. J. H.	TIMES MICROWAVE SYSTEMS
		DATE 10/24/08	
USED ON: 0-3		CHKD. J. D. B.	EZ-300-TM-X "TNC" MALE FOR LMR-300 CABLE EZ-CRIMP/NO BRAID TRIM
		DATE 10/24/08	
SCALE: N/A	DWG. SIZE A	APPD. J. D. B.	1 of 1 SD3190-2421 R D
		DATE 10/24/08	
DO NOT SCALE DRAWING		CODE IDENT 68999	