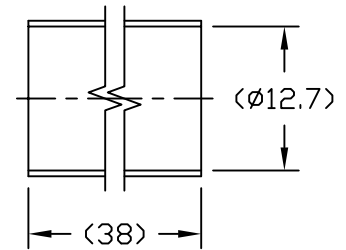
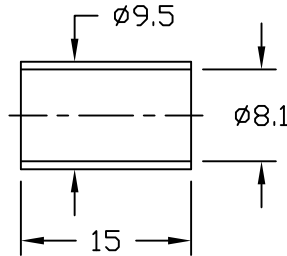
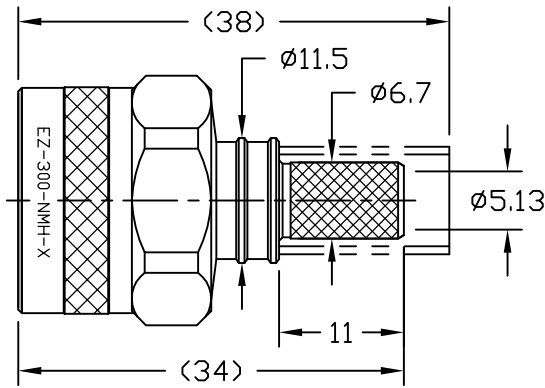
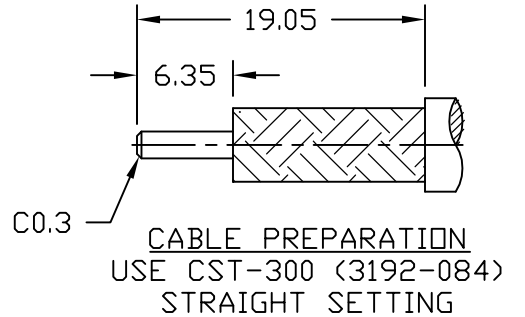


**NOTICE OF PROPRIETARY RIGHTS** THIS DOCUMENT CONTAINS CONFIDENTIAL TECHNICAL DATA, INCLUDING TRADE SECRETS, PROPRIETARY TO TIMES MICROWAVE SYSTEMS. DISCLOSURE OF THIS DATA IS EXPRESSLY CONDITIONED UPON YOUR ASSENT THAT ITS USE IS LIMITED TO USE WITHIN YOUR COMPANY ONLY. ANY OTHER USE IS STRICTLY PROHIBITED WITHOUT THE PRIOR WRITTEN CONSENT OF TIMES MICROWAVE SYSTEMS.

SYM	REVISION DESCRIPTION	DFTM	DATE	APPD	DATE
A	RELEASED FOR PRODUCTION	D. J. H.	10/24/08	J. D. B.	10/24/08
B	CHANGED PER CDC #29443	D. J. H.	12/16/08	J. D. B.	12/18/08
C	CHANGED PER CDC #31608	K. A. M.	4/20/10	J. D. B.	4/23/10
D	CHANGED PER CDC #34190	D. J. H.	3/8/12	J. D. B.	3/12/12

**Australian Representatives**  
**ROJONE, PTY LTD.**  
 Tel: 02 9829 1555  
 E: sales@rojone.com.au  
 www.rojone.com.au

**NOTICE:** ALL PARTS MUST MEET TO RoHS REQUIREMENTS



**NOTE:**  
CRIMP THE FERRULE TO .324" HEX.

MATERIALS AND PLATING		UNIT: MICRO-INCHES
BODY,SHELL	BRASS PER C3604	ALBALOY PLATING 80µ"/COPPER
CONTACT PIN	Be-Cu PER C17300.	GOLD 50 µ"/ COPPER
INSULATOR	TEFLON MIL-P-19468	
GASKET	SILICONE	
FERRULE	COPPER	ALBALOY PLATING 80µ"/COPPER

MECHANICAL CHARACTERISTICS	
Force to engage and disengage	6 lbs MAX.
Center contact retention force	6 lbs MIN.
Coupling torque	30 in-lbs
Coupling nut retention force	100 lbs
Durability	≥ 500 cycles

ELECTRICAL CHARACTERISTICS	
Impedance	50 Ω
Voltage rating	500V(rms)
Frequency range	0~6GHz
Dielectric withstanding voltage	1000V
Contact resistance	Center contact: ≤3mΩ Outer contact≤2mΩ
Insulation resistance	≥5000MΩ
Insertion loss	According as the cable
RF- leakage	N/A
VSWR	1.2 (0-6GHz)

ENVIRONMENTAL CHARACTERISTICS	
Temperature range	-55°C- +155°C
Thermal shock	US MIL- STD 202, Meth. 107, Cond. B
Vibration	US MIL- STD 202, Meth. 204, Cond. B
Shock	US MIL- STD 202, Meth. 213, Cond. I
Climatic class	IEC 60068 65/165/21

MATL:	UNLESS OTHERWISE SPECIFIED ALL DIMENSIONS ARE IN mm MACHINED SURFACES FINISH N/A RMS MAX. REMOVE ALL BURRS .005 MAX. BREAK MACHINE CORNERS .005 MAX. FILLET R. TOLERANCES ON DECIMALS .XX ±.03 .XXX ±.005 ANGLES ±1° FRACTIONS ± 1/32	DFTM. D. J. H.	TIMES MICROWAVE SYSTEMS
		DATE 10/24/08	
USED ON: E-1		CHKD. J. D. B.	<b>EZ-300-NMH-X</b> "N" PLUG FOR LMR-300 CABLE EZ/CRIMP/NO BRAID TRIM
		DATE 10/24/08	
SCALE: N/A	DWG. SIZE A	APPD. J. D. B.	SHEET 1 of 1
		DATE 10/24/08	
DO NOT SCALE DRAWING	CODE IDENT 68999	DATE 10/24/08	REV D