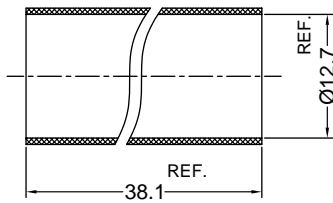
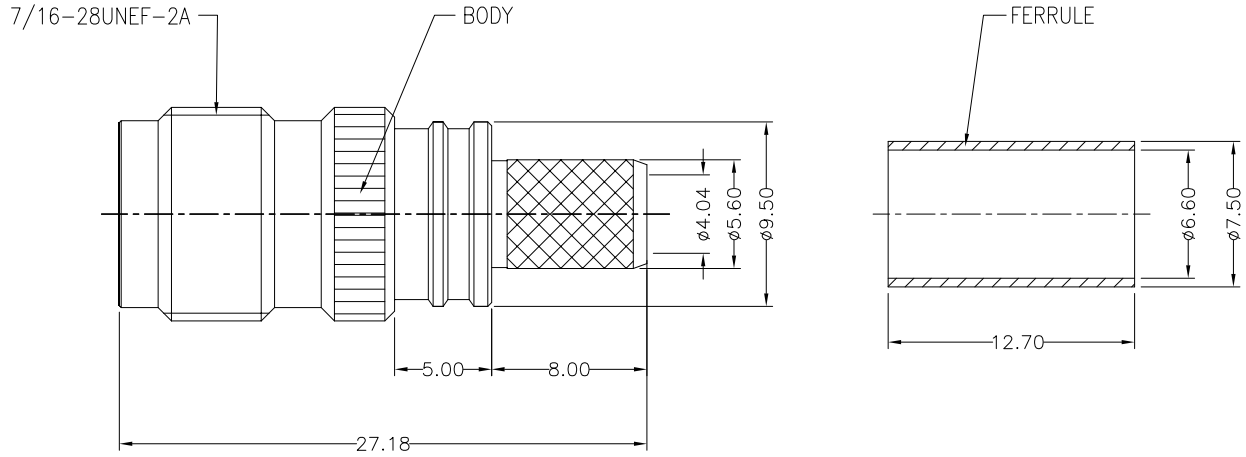


**NOTICE OF PROPRIETARY RIGHTS** THIS DOCUMENT CONTAINS CONFIDENTIAL DATA, INCLUDING TRADE SECRETS, PROPRIETARY TO TIMES MICROWAVE SYSTEMS. DISCLOSURE OF THIS DATA IS EXPRESSLY CONDITIONED UPON YOUR ASSENT THAT ITS USE IS LIMITED TO USE WITHIN YOUR COMPANY ONLY. ANY OTHER USE IS STRICTLY PROHIBITED WITHOUT THE PRIOR WRITTEN CONSENT OF TIMES MICROWAVE SYSTEMS.

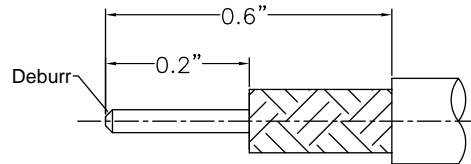


**Australian Representatives**  
**ROJONE, PTY LTD.**  
 Tel: 02 9829 1555  
 E: sales@rojone.com.au  
 www.rojone.com.au

SYM	REVISION DESCRIPTION	DFTM	DATE	APPD	APPD
A	RELEASED FOR PRODUCTION	Joslen	2015.10.14	TZ	2015.10.14



Heat Shrink Tube



RECOMMENDED CABLE STRIPPING DIM'S  
 Connector adds: 12.5 mm

**I. MATERIALS & FINISHES**

Components	Materials	Finishes	Thk. (μ")
Body	Brass	Albaloy	80
Contact pin	QBe2	Gold	50
Ferrule	Brass	Albaloy	80
Insulator	PTFE	--	--

**II. ELECTRICAL PROPERTIES**

Impedance (Ω):	50
Frequency Range (GHz):	DC to 6 GHz
Working Voltage (V):	1500
Insulation Resistance (MΩ):	≥5000
VSWR:	≤1.30
Insertion Loss(dB, f/GHz):	-0.1x √f

**III. ENVIRONMENT PROPERTIES**

Temperature Range:	-55°C~+155°C
Thermal Shock:	MIL-STD 202G, Meth.107, Cond.B
Vibration:	MIL-STD 202G, Meth.204, Cond.B
Shock:	MIL-STD 202G, Meth.213, Cond I
Climatic Class:	IEC 60068 55/155/56
(2002/95/EC)RoHS:	Compliant



**IV. MECHANICAL PROPERTIES**

Center Cont.:	Captive
Outer Cont.:	Crimp
Coupling Nut Torque (N.m):	N/A
Cbl-Connector Retention Force (N):	200
Climatic Class:	IEC 60068 55/155/56
Durability (cycles):	500

**V. TOOLING**

Stripping Tool: 3192-152/CST240A  
 Crimping Tool: 3192-181/3190-608

According to Standard: IEC 61169-17

MATL:	UNLESS OTHERWISE SPECIFIED		DFTM.	Joslen	 An Amphenol Company						
	ALL DIMENSIONS ARE IN mm MACHINED SURFACES FINISH 1.6 RMS MAX. REMOVE ALL BURRS 0.15X45° MAX. BREAK MACHINE CORNERS 0.15X45° D MAX. FILLET R. TOLERANCES ON DECIMALS .X ±0.3 .XX ±0.15 ANGLES ±2° FRACTIONS ± N/A		DATE	2015.10.14							
USED ON: O			CHKD	KG	<b>EZ-240-TF-X</b> TNC Female (Jack) Straight Non-Solder Pin No Braid Trim Connector for LMR-240 Cable						
			DATE	2015.10.14							
SCALE: N/A	DWG SIZE: A4	DO NOT SCALE DRAWING	CODE IDENT	68999	DATE	2015.10.14	SH T	1 OF 1	3190-6204	R E V	A