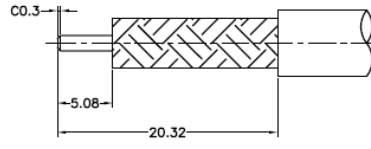


NOTICE OF PROPRIETARY RIGHTS THIS DOCUMENT CONTAINS CONFIDENTIAL TECHNICAL DATA, INCLUDING TRADE SECRETS, PROPRIETARY TO TIMES MICROWAVE SYSTEMS. DISCLOSURE OF THIS DATA IS EXPRESSLY CONDITIONED UPON YOUR ASSENT THAT ITS USE IS LIMITED TO USE WITHIN YOUR COMPANY ONLY. ANY OTHER USE IS STRICTLY PROHIBITED WITHOUT THE PRIOR WRITTEN CONSENT OF TIMES MICROWAVE SYSTEMS.

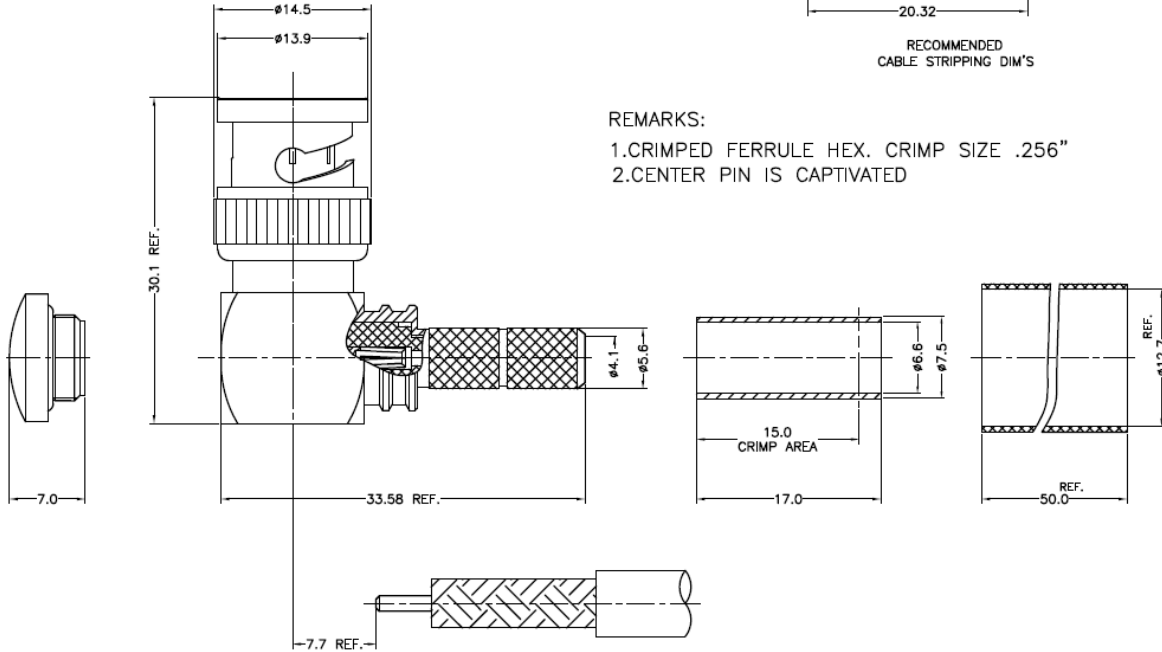
SYM	REVISION DESCRIPTION	DFTM	DATE	APPD	DATE
A	RELEASED FOR PRODUCTION	N. N. N	3/4/14	J. D. B.	3/12/14+



Australian Representatives
ROJONE, PTY LTD.
 Tel: 02 9829 1555
 E: sales@rojone.com.au
 www.rojone.com.au



RECOMMENDED
CABLE STRIPPING DIM'S



REMARKS:
 1. CRIMPED FERRULE HEX. CRIMP SIZE .256"
 2. CENTER PIN IS CAPTIVATED

MATERIALS AND PLATING		UNIT: MICRO-INCHES
BODY/SHELL	BRASS PER C3604	ALBALOY 80 MIN/COPPER
CONTACT PIN	BRASS PER C3604	GOLD 50 MIN/NICKEL/ COPPER
INSULATOR	TEFLON MIL-P-19468	NATURAL
FERRULE	BRASS	ALBALOY 80 MIN/COPPER

ELECTRICAL CHARACTERISTICS	
Impedance	50 Ω
Voltage rating	500V(rms)
Frequency range	0~6GHz
Dielectric withstanding voltage	750V
Contact resistance	Center contact ≤ 3mΩ
	Outer contact ≤ 2mΩ
Insulation resistance	≥ 5000MΩ
Insertion loss	(According to the cable)
RF- leakage	N/A
VSWR	1.35MAX@0-6GHz
(3rd Intermodulation)	N/A

MECHANICAL CHARACTERISTICS	
Force to engage and disengage	N/A
Center contact retention force	6 lbs MIN
Coupling torque	N/A
Coupling nut retention force	60 lbs
Durability	≥ 500 cycles

ENVIRONMENTAL CHARACTERISTICS	
Temperature range	-55°C - +155°C
Thermal shock	US MIL- STD 202, Meth. 107, Cond. B
Vibration	US MIL- STD 202, Meth. 204, Cond. B
Shock	US MIL- STD 202, Meth. 213, Cond. I
Climatic class	IEC 60068 65/165/21

MATL: SEE ABOVE
 USED ON: ~
 SCALE: N/A DWG. SIZE A

UNLESS OTHERWISE SPECIFIED
 ALL DIMENSIONS ARE IN mm
 UNLESS OTHERWISE SPECIFIED:
 1) EDGES 0.15 MAX;
 2) REMOVE ALL BURRS;
 3) SURFACE ROUGHNESS Ra1.6;
 4) UNITS: mm;
 5) DIMENSIONS TOLERANCES
 DECIMALS ANGLES
 .x ±0.3 ±30
 .xx ±0.2

DO NOT SCALE DRAWING CODE IDENT 68999 DATE 3/12/14

DFTM. N. N. N
 DATE 3/4/14
 CHKD. J. D. B.
 DATE 3/12/14
 APPD. J. D. B.
 DATE 3/12/14

TIMES MICROWAVE SYSTEMS
EZ-240-BM-RA-X
 90° BNCM
 for LMR-240
 1 of 1 SD3190-2868 REV A