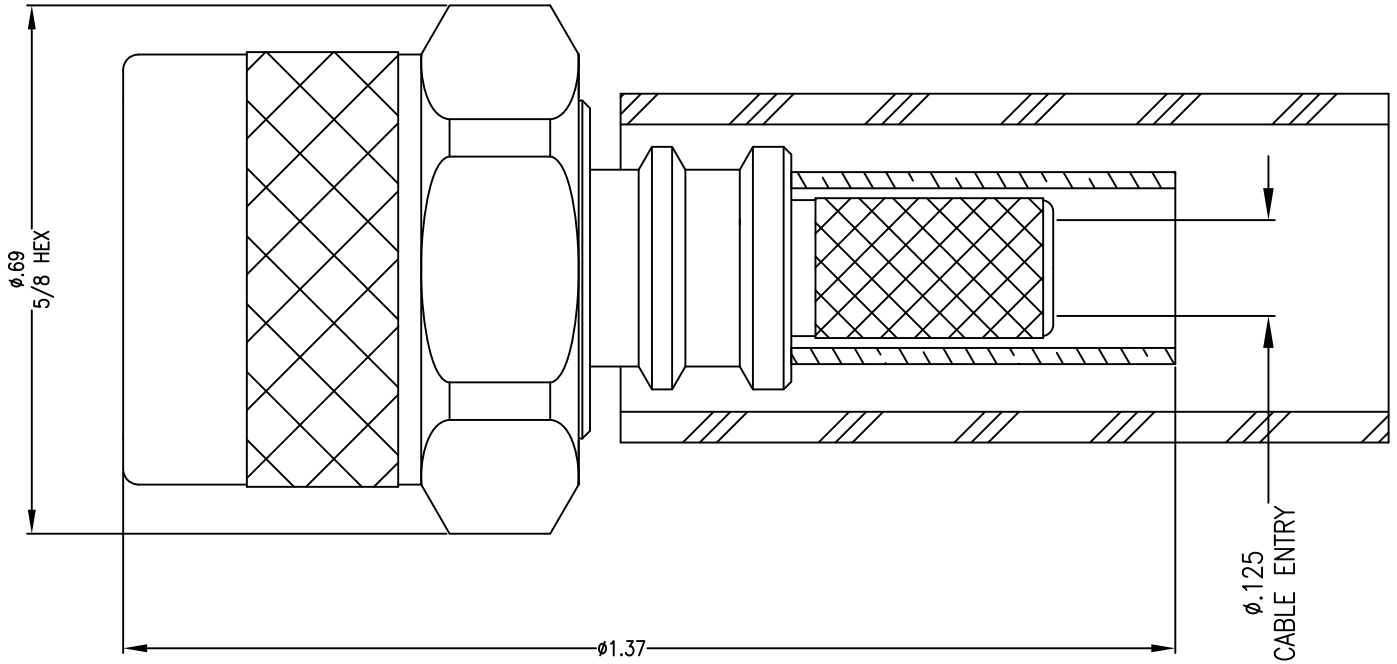
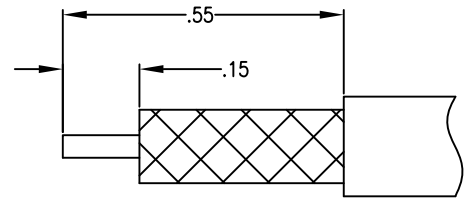


**NOTICE OF PROPRIETARY RIGHTS** THIS DOCUMENT CONTAINS CONFIDENTIAL TECHNICAL DATA, INCLUDING TRADE SECRETS, PROPRIETARY TO TIMES MICROWAVE SYSTEMS. DISCLOSURE OF THIS DATA IS EXPRESSLY CONDITIONED UPON YOUR ASSENT THAT ITS USE IS LIMITED TO USE WITHIN YOUR COMPANY ONLY. ANY OTHER USE IS STRICTLY PROHIBITED WITHOUT THE PRIOR WRITTEN CONSENT OF TIMES MICROWAVE SYSTEMS.

SYM	REVISION DESCRIPTION	DFTM	DATE	APPD	DATE
A	RELEASED FOR PRODUCTION	N. N. N	6/2/14	J. D. B.	6/5/14



**Australian Representatives**  
**ROJONE, PTY LTD.**  
 Tel: 02 9829 1555  
 E: sales@rojone.com.au  
 www.rojone.com.au



CABLE PREP  
 HEX SIZE .213  
 NOT TO SCALE

- |  |   |   |
|--|---|---|
| <p>1.0 PERFORMANCE</p> <p>1.1 FREQUENCY RANGE: DC-6 GHz</p> <p>1.2 NOMINAL IMPEDANCE: 50 OHMS</p> <p>1.3 DWV: 500 VRMS @ 60 Hz (SEA LEVEL)</p> <p>1.4 TEMPERATURE RANGE: -65°C TO +165°C</p> | <p>2.0 MATERIALS</p> <p>2.1 DIELECTRIC: PTFE</p> <p>2.2 CONTACT: BERYLLIUM COPPER</p> <p>2.3 LOCKING RING: PHOSPHOR BRONZE</p> <p>2.4 CRIMP FERRULE: SOFT COPPER</p> <p>2.5 OTHER METAL PARTS: BRASS</p> <p>2.6 GASKET: SILICONE RUBBER</p> <p>2.7 HEAT SHRINK: POLYOLEFIN THICK WALL</p> | <p>3.0 FINISHES: SEE TABLE</p> <p>4.0 MECHANICAL</p> <p>4.1 INTERFACE PER MIL-STD-348</p> |
|--|---|---|

BODY	CONTACT
ALBALOY	GOLD/NI

MATL:	UNLESS OTHERWISE SPECIFIED	DFTM. N. N. N	TIMES MICROWAVE SYSTEMS
	ALL DIMENSIONS ARE IN INCHES MACHINED SURFACES FINISH N/A RMS MAX. REMOVE ALL BURRS .005 MAX. BREAK MACHINE CORNERS .005 MAX. FILLET R. TOLERANCES ON DECIMALS . XX ± .03 . XXX ± .005 ANGLES ± 1° FRACTIONS ± 1/32	DATE 6/2/14	
USED ON: A		CHKD. J. D. B.	<b>EZ-200-TM-X</b> TNCM FOR LMR-200 CABLE
		DATE 6/5/14	
SCALE: N/A	DWG. SIZE A	DO NOT SCALE DRAWING	
	CODE IDENT 68999	DATE 6/5/14	1 of 1   SD3190-2885   REV A