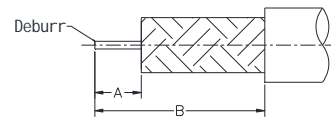
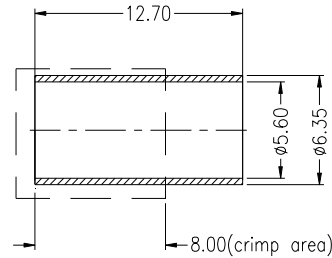
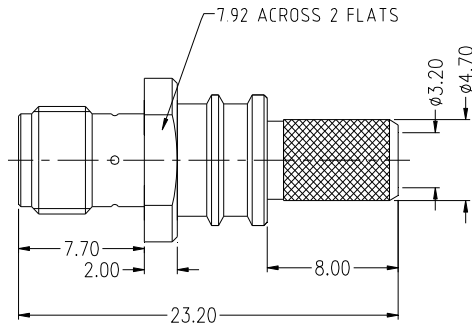


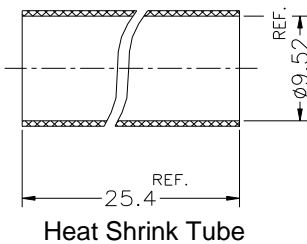
NOTICE OF PROPRIETARY RIGHTS THIS DOCUMENT CONTAINS CONFIDENTIAL DATA, INCLUDING TRADE SECRETS, PROPRIETARY TO TIMES MICROWAVE SYSTEMS. DISCLOSURE OF THIS DATA IS EXPRESSLY CONDITIONED UPON YOUR ASSENT THAT ITS USE IS LIMITED TO USE WITHIN YOUR COMPANY ONLY. ANY OTHER USE IS STRICTLY PROHIBITED WITHOUT THE PRIOR WRITTEN CONSENT OF TIMES MICROWAVE SYSTEMS.

| SYM | REVISION DESCRIPTION | DFTM | DATE | APPD | DATE |
|-----|-------------------------|------|------------|------|------------|
| A | RELEASED FOR PRODUCTION | JW | 08/08/2014 | TZ | 08/08/2014 |



| Strip Length | A | B |
|--------------|------|-------|
| mm | 3.81 | 20.32 |

Recommended cable stripping dim's
Connector adds: 9.02mm



I. MATERIALS & FINISHES

| Components | Materials | Finishes | Thk. (μ'') |
|--------------|-----------------|-------------|------------|
| Body | STAINLESS STEEL | PASSIVATION | -- |
| Center Cont. | BeCu | Gold | 50 |
| Insulator | TEFLON | -- | -- |
| Gasket | -- | -- | -- |
| Ferrule | Brass | Albaloy | 80 |
| Coupling nut | -- | -- | -- |

II. ELECTRICAL PROPERTIES

| | |
|-----------------------------|----------------|
| Impedance (Ω): | 50 |
| Frequency Range (GHz): | DC to 6.0 |
| Working Voltage (V): | 500 |
| Insulation Resistance (MΩ): | ≥5000 |
| VSWR: | 1.30:1 |
| Insertion Loss: | 0.05 x sqrt(f) |

III. ENVIRONMENT PROPERTIES

| | |
|--------------------|--------------------------------|
| Temperature Range: | -55°C~+125°C |
| Thermal Shock: | MIL-STD 202G, Meth.107, Cond.B |
| Vibration: | MIL-STD 202G, Meth.204, Cond.B |
| Shock: | MIL-STD 202G, Meth.213, Cond I |
| Climatic Class: | IEC 60068 55/155/56 |
| (2002/95/EC)RoHS: | Compliant |

IV. MECHANICAL PROPERTIES

| | |
|------------------------------------|---------|
| Center Cont.: | Captive |
| Outer Cont.: | Crimp |
| Coupling Nut Torque (N.m): | N/A |
| Cbl-Connector Retention Force (N): | 230 |
| Durability (cycles): | ≥500 |

V. TOOLING

| | |
|-----------------|----------------------|
| Stripping Tool: | 3192-102/CST-195/200 |
| Crimping Tool: | 3190-667 |

Australian Representatives
ROJONE, PTY LTD.
 Tel: 02 9829 1555
 E: sales@rojone.com.au
 www.rojone.com.au

| | | | | | | | | | | | |
|------------|--|--|----------------------|------------|---------------|---------------|--|--------|-----------|-----|---|
| MATL: | | UNLESS OTHERWISE SPECIFIED | | | DFTM. JW | | TIMES MICROWAVE SYSTEMS | | | | |
| | | ALL DIMENSIONS ARE IN mm MACHINED SURFACES FINISH 1.6 RMS MAX. REMOVE ALL BURRS 0.15X45° MAX. BREAK MACHINE CORNERS 0.15X45° D MAX. FILLET R. TOLERANCES ON DECIMALS .X ±0.3 .XX ±0.15 ANGLES ±2° FRACTIONS ±N/A | | | DATE 14/08/08 | | | | | | |
| USED ON: O | | | | | CHKD. KG | | EZ-200-SF-SS-X SMA Female (Jack) Straight No Braid Trim Connector for LMR-200 Cable Type(s) | | | | |
| | | | | | DATE 14/08/08 | | | | | | |
| SCALE: N/A | | DWG SIZE A | DO NOT SCALE DRAWING | CODE IDENT | 68999 | DATE 14/08/08 | SHT | 1 of 1 | 3190-6007 | REV | A |