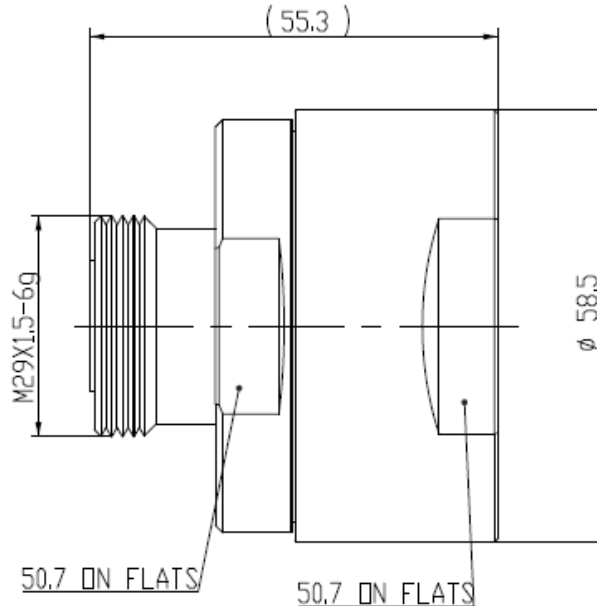


NOTICE OF PROPRIETARY RIGHTS THIS DOCUMENT CONTAINS CONFIDENTIAL TECHNICAL DATA, INCLUDING TRADE SECRETS, PROPRIETARY TO TIMES MICROWAVE SYSTEMS. DISCLOSURE OF THIS DATA IS EXPRESSLY CONDITIONED UPON YOUR ASSENT THAT ITS USE IS LIMITED TO USE WITHIN YOUR COMPANY ONLY. ANY OTHER USE IS STRICTLY PROHIBITED WITHOUT THE PRIOR WRITTEN CONSENT OF TIMES MICROWAVE SYSTEMS.

SYM	REVISION DESCRIPTION	DFTM	DATE	APPD	DATE
-	RELEASED FOR PRODUCTION	J. C. L.	3/4/96	J. C. L.	3/4/96
A	CHANGED PER CDC #45286	N. N. N.	11/10/16	J. D. B.	1/3/17



Reference standard IEC60169-4

I. Electric Performance
 Nominal Impedance(Ω): 50 ± 2
 Frequency Range: DC-3GHz
 VSWR: ≤ 1.35
 Insert Loss(dB): ≤ 0.1(3G)
 Insulation resistance (MΩ) ≥ 10000
 Proof voltage (V) 4000
 Conductor resistance (mΩ) outer conductor < 0.2
 inner conductor < 0.8

II. Mechanical Performance
 Retention 5,88N
 Mating cycles 500
 Tensile force(cable-connector) 1500N

III. Material and plating :
 Component Material
 Inner conductor Spring Bronze
 Outer conductor Brass
 O-ring Silicone rubber
 Insulator PTFE
 Plating
 Ag 5 μm
 Copper-tin-zinc 2 μm

IV. Environment
 Temp.range -40°C~+85°C
 Weather standard IEC 60068 40 / 085/ 21
 Thermal shock US MIL-STD 202,Meth.107,Cond.B
 Vibration US MIL-STD 202,Meth.204,Cond.B
 Shock US MIL-STD 202,Meth.213,Cond.I

V. Assembly: inner and outer conductor installed

VI. ROHS Compliant.



Australian Representatives
ROJONE, PTY LTD.
 Tel: 02 9829 1555
 E: sales@rojone.com.au
 www.rojone.com.au

MATERIAL:	UNLESS OTHERWISE SPECIFIED	DFTM. J. C. L.	TIMES MICROWAVE SYSTEMS
	ALL DIMENSIONS ARE IN mm MACHINED SURFACES FINISH N/A RMS MAX. REMOVE ALL BURRS N/A MAX. BREAK MACHINE CORNERS N/A MAX. FILLET R. TOLERANCES ON DECIMALS . XX ± N/A . XXX ± N/A ANGLES ± 1° FRACTIONS ± N/A	DATE 3/4/96	
USED ON: O-O		CHKD. J. C. L.	EZ-1700-716FC 7/16 DIN FEMALE CLAMP
		DATE 3/4/96	
SCALE: N/A	DWG. SIZE A	APPD. J. C. L.	SHEET 1 of 1 SD3190-388 REV A
DO NOT SCALE DRAWING	CODE IDENT 68999	DATE 3/4/96	