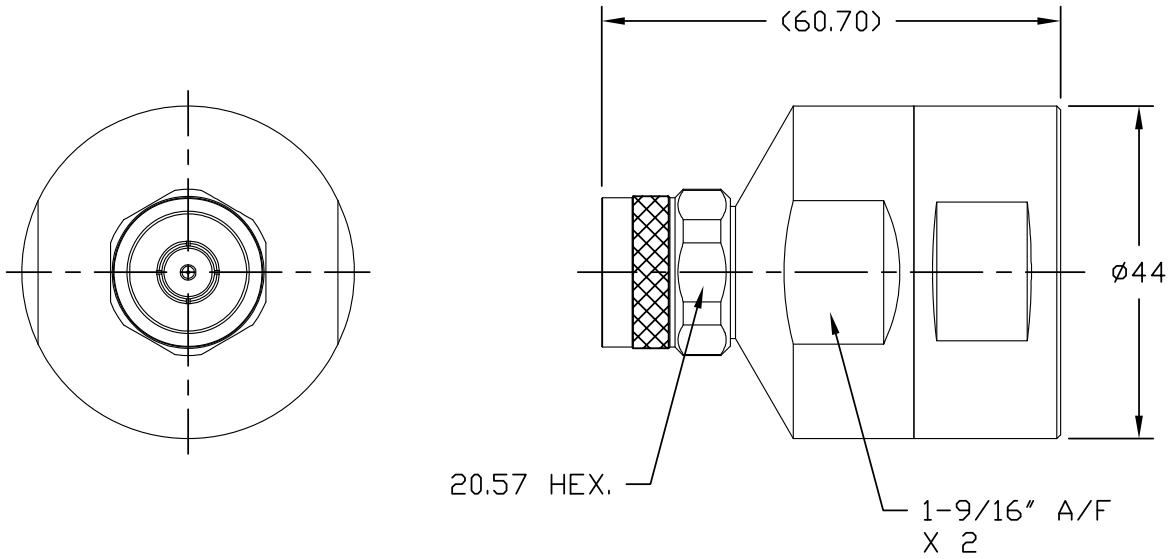


**NOTICE OF PROPRIETARY RIGHTS** THIS DOCUMENT CONTAINS CONFIDENTIAL TECHNICAL DATA, INCLUDING TRADE SECRETS, PROPRIETARY TO TIMES MICROWAVE SYSTEMS. DISCLOSURE OF THIS DATA IS EXPRESSLY CONDITIONED UPON YOUR ASSENT THAT ITS USE IS LIMITED TO USE WITHIN YOUR COMPANY ONLY. ANY OTHER USE IS STRICTLY PROHIBITED WITHOUT THE PRIOR WRITTEN CONSENT OF TIMES MICROWAVE SYSTEMS.

SYM	REVISION DESCRIPTION	DFTM	DATE	APPD	DATE
A	RELEASED FOR PRODUCTION	D. J. H.	7/27/12	J. D. B.	9/28/12



Reference Standard IEC60169-4

**I. Electric Performance**

Impedance( $\Omega$ ):	50
Frequency Range:	0-6GHz
VSWR:	$\leq 1.35$
Insert Loss(dB):	$\leq 0.1(0-3G)$
Insulation resistance(M $\Omega$ ):	$> 5000$
Proof voltage(V):	2500
Conductor resistance(m $\Omega$ ):	outer conductor $< 0.4$ inner conductor $< 0.8$

**II. Mechanical Performance**

Nut Torque	5N.m
Tensile force(cable-connect)	300N
Torsion(cable-connect)	3N.m

**III. Material and plating**

Component	Material	Plating
Inner conductor	Spring copper	Ag 5 $\mu$ m
Outer conductor	Brass	Copper-tin-zinc 2 $\mu$ m
Spring Finger Contact	BeCu	Copper-tin-zinc 2 $\mu$ m
Insulator	PTFE	

**IV. Environment**

Temp.range	-55 $^{\circ}$ C~+155 $^{\circ}$ C
Weather standard	IEC 60068 55 / 155/ 56
Thermal shock	US MIL-STD 202,Meth.107,Cond.B
Vibration	US MIL-STD 202,Meth.204,Cond.B
Shock	US MIL-STD 202,Meth.213,Cond.I
ROHS Compliant	

**V. Assembly: inner and outer conductor installed**

MATERIAL:	UNLESS OTHERWISE SPECIFIED ALL DIMENSIONS ARE IN mm MACHINED SURFACES FINISH N/A RMS MAX. REMOVE ALL BURRS N/A MAX. BREAK MACHINE CORNERS N/A MAX. FILLET R. TOLERANCES ON DECIMALS . XX $\pm$ N/A . XXX $\pm$ N/A ANGLES $\pm$ N/A FRACTIONS $\pm$ N/A	DFTM. D. J. H.	TIMES MICROWAVE SYSTEMS
		DATE 7/27/12	
USED ON: 1-1		CHKD. J. D. B.	<b>EZ-1200-NMC-2</b> N MALE FOR LMR-1200 CABLE
		DATE 9/28/12	
SCALE: N/A	DWG. SIZE A	APPD. J. D. B.	SHEET 1 of 1
		DATE 9/28/12	
DO NOT SCALE DRAWING	CODE IDENT 68999	DATE 9/28/12	REV. A