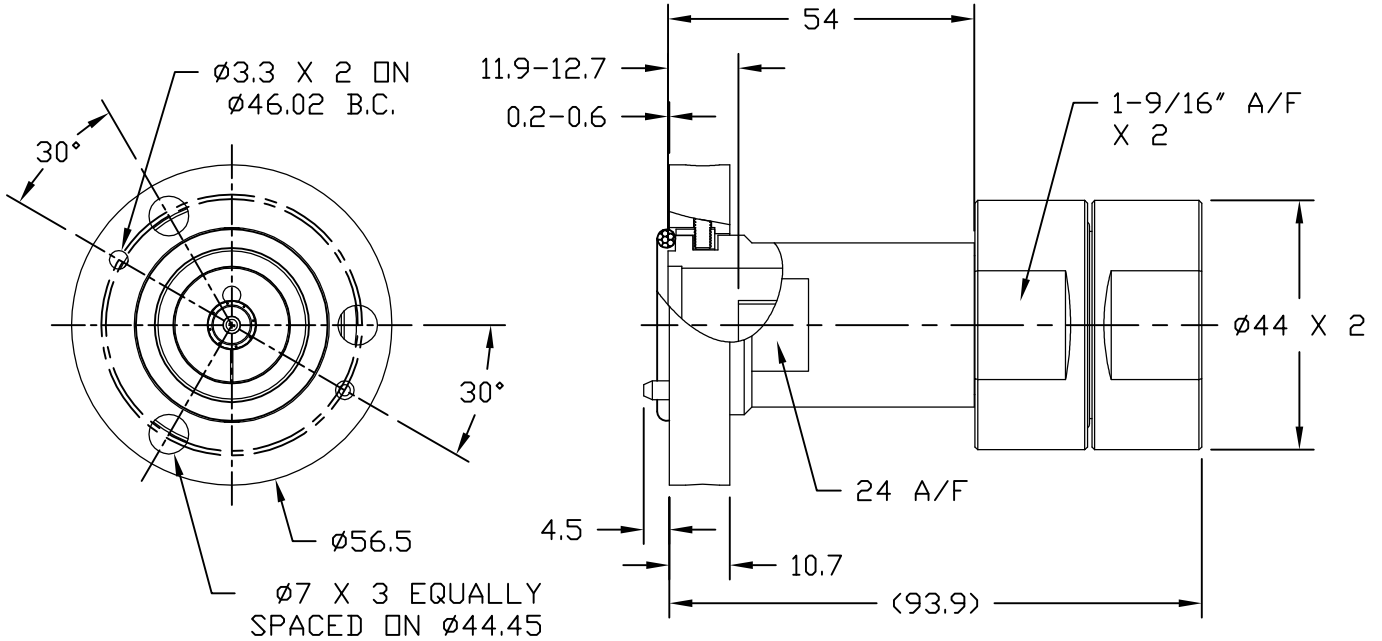
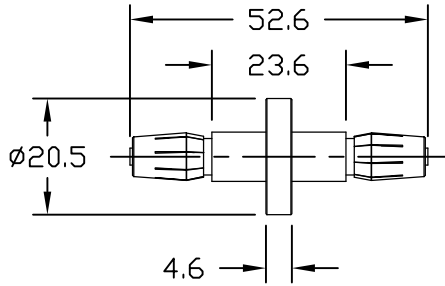


**NOTICE OF PROPRIETARY RIGHTS** THIS DOCUMENT CONTAINS CONFIDENTIAL TECHNICAL DATA, INCLUDING TRADE SECRETS, PROPRIETARY TO TIMES MICROWAVE SYSTEMS. DISCLOSURE OF THIS DATA IS EXPRESSLY CONDITIONED UPON YOUR ASSENT THAT ITS USE IS LIMITED TO USE WITHIN YOUR COMPANY ONLY. ANY OTHER USE IS STRICTLY PROHIBITED WITHOUT THE PRIOR WRITTEN CONSENT OF TIMES MICROWAVE SYSTEMS.

| SYM | REVISION DESCRIPTION    | DFTM     | DATE    | APPD     | DATE    |
|-----|-------------------------|----------|---------|----------|---------|
| A   | RELEASED FOR PRODUCTION | D. J. H. | 7/27/12 | J. D. B. | 9/28/12 |


**Australian Representatives**  
**ROJONE, PTY LTD.**  
 Tel: 02 9829 1555  
 E: sales@rojone.com.au  
 www.rojone.com.au



**I. Electric Performance**  
 Nominal Impedance( $\Omega$ ): 50  
 Frequency Range: DC-0.5GHz  
 VSWR:  $\leq 1.15$   
 Insert Loss:  $\leq 0.05$   
 Insulation resistance(M $\Omega$ ):  $> 10000$   
 Proof voltage(V): 4000  
 Average Power(KW): 1.2(1G)  
 Conductor resistance(m $\Omega$ ): 0.82(2G)  
 Conductor resistance(m $\Omega$ ): outer conductor  $< 0.5$   
 inner conductor  $< 0.8$

**II. Mechanical Performance**  
 Retention  $\geq 10N$   
 Mechanical wear(hypo-) 500

**III. Material and plating**

| Component             | Material        | Plating                   |
|-----------------------|-----------------|---------------------------|
| Inner conductor       | Brass           | Ag 5 $\mu$ m              |
| Outer conductor       | Brass           | Copper-tin-zinc 2 $\mu$ m |
| Spring Finger Contact | BeCu            | Copper-tin-zinc 2 $\mu$ m |
| Gasket                | Silicone Rubber |                           |
| Insulator             | PTFE            |                           |

**IV. Environment**  
 Temp.range -55 $^{\circ}C$ ~+155 $^{\circ}C$   
 Weather standard IEC 60068 55 / 155/ 56  
 Thermal shock US MIL-STD 202,Meth.107,Cond.B  
 Vibration US MIL-STD 202,Meth.204,Cond.B  
 Shock US MIL-STD 202,Meth.213,Cond.I  
 Waterproofing standard IP67  
 ROHS Compliant

**V. Assembly:** inner and outer conductor installed

|                      |  |                |   |
|----------------------|--|----------------|---|
| MATERIAL:            | UNLESS OTHERWISE SPECIFIED<br>ALL DIMENSIONS ARE IN mm<br>MACHINED SURFACES FINISH N/A RMS MAX.<br>REMOVE ALL BURRS N/A MAX. BREAK<br>MACHINE CORNERS N/A MAX. FILLET R.<br>TOLERANCES ON DECIMALS<br>.XX $\pm$ N/A .XXX $\pm$ N/A<br>ANGLES $\pm$ N/A FRACTIONS $\pm$ N/A | DFTM. D. J. H. | TIMES MICROWAVE SYSTEMS   |
|                      |  | DATE 7/27/12   |   |
| USED ON: 0-2         |  | CHKD. J. D. B. | <b>EZ-1200-78EIA-2</b><br>7/8" EIA FLANGE<br>FOR LMR-1200 CABLE |
|                      |  | DATE 9/28/12   |   |
| SCALE: N/A           | DWG. SIZE A  | APPD. J. D. B. | SHEET 1 of 1  |
|                      |  | DATE 9/28/12   |   |
| DO NOT SCALE DRAWING | CODE IDENT 68999   | DATE 9/28/12   | REV. A  |