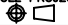
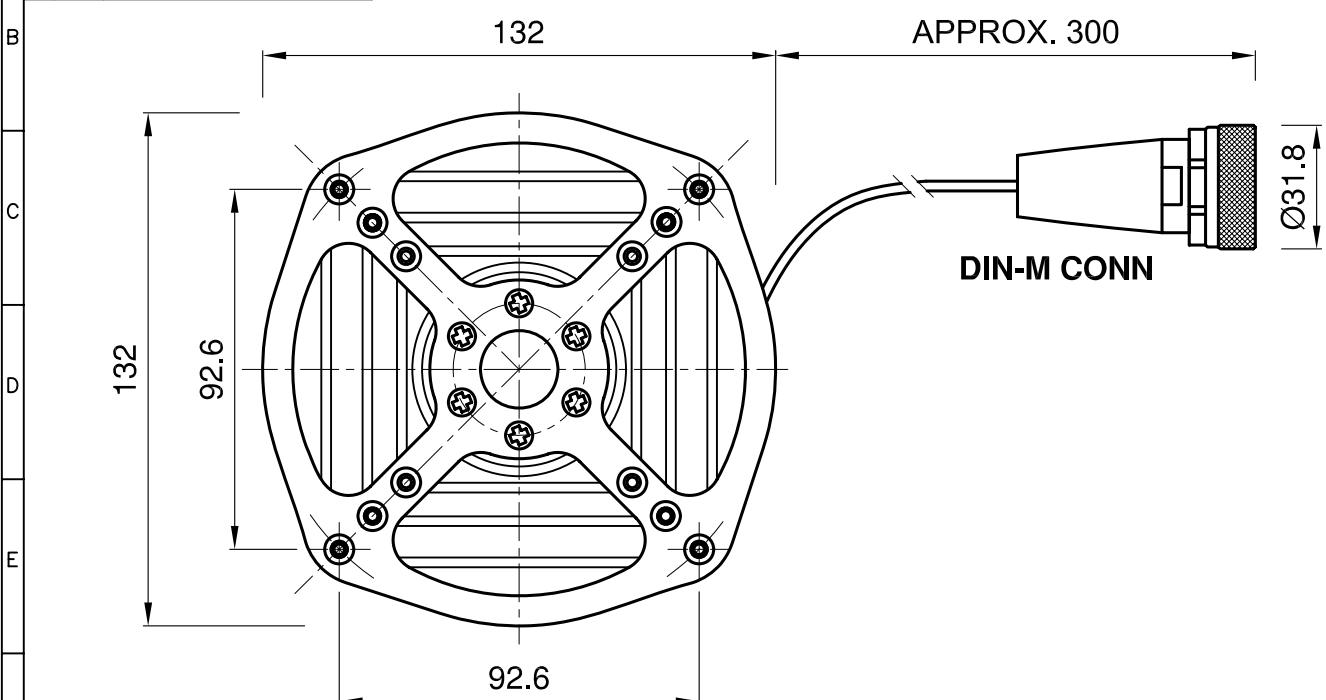


REVISIONS		
ISS	ZONE	DESCRIPTION/PER REQUEST/DATE
B		ADD THIRD LAYER CABLE

3rd ANGLE PROJECTION  THIS DOCUMENT AND THE DESIGN SHOWN THEREON IS THE PROPERTY OF ROJONE PTY LTD AND MUST NOT BE SOLD, LENT, GIVEN AWAY, COPIED, REPRODUCED OR OTHERWISE DIVULGED TO ANY THIRD PARTY OR USED FOR MANUFACTURE, OR ANY OTHER PURPOSE WITHOUT DIRECT WRITTEN PERMISSION OF ROJONE PTY LTD.

DO NOT SCALE

REVISION	DATE	CHECKED
A	20120319	B. G.
b	20120320	B. G.



SPECIFICATION

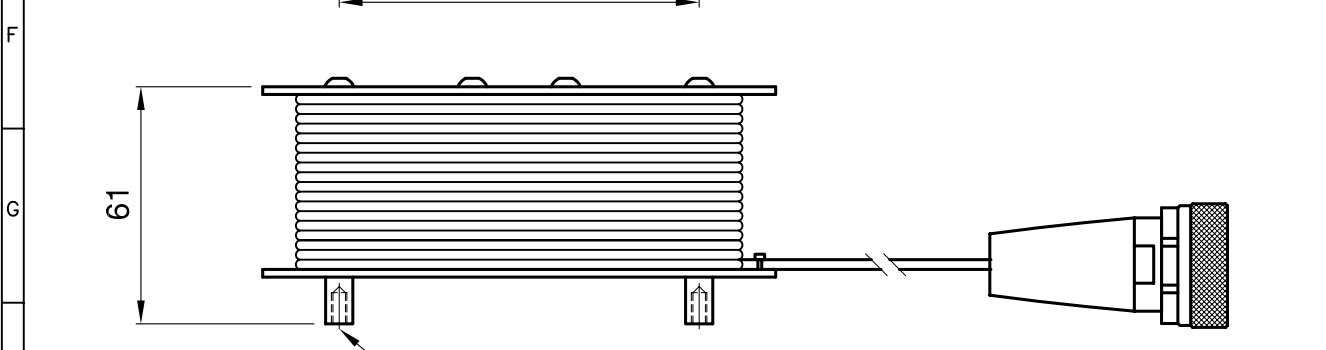
FREQ RANGE:	1700-2700MHz
POWER MAX.:	100W CW@ 50% duty circle
RETURN LOSS:	-20dB Typ
IM:	< -150dBc@43dBmx2
HUMIDITY:	< 95% Non Condensing
OP TEMP:	-40 to +40 °C
CONNECTOR:	Din Male
SIZE:	136X132X61MM + CONN.
WEIGHT:	0.8 Kg Approx.

ROJONE PART NUMBER LEGEND

AMA-5256CL- 100W - 30A

POWER	
25W	25 WATTS
30W	30 WATTS
50W	50 WATTS
100W	100 WATTS

CONNECTOR TYPE	
13A	N Male
13C	N Female
30A	716 DIN male
30C	716 DIN Female




NOTE:

- 1/ Input RF Power 100 Watts Continuously.
- 2/ Fan version for high duty cycle available Please consult factory for detail

4 Blind Holes M4 8mm LG Thd for mounting

UNLESS OTHERWISE STATED ALL DIMENSIONS ARE IN MILLIMETRES (mm) TOLERANCE: LINEAR ±0.1 ANGULAR ±1° REMOVE ALL BURRS AND SHARP EDGES

 ROJONE PTY LTD ACN 002691241 44 AERO RD INGLEBURN 2565 SYDNEY, AUSTRALIA Ph: (612) 9829 1555 Fax: (612) 9605 8812 Web: www.rojone.com.au E-mail: sales@rojone.com.au	TITLE INTERFACE DRAWING FOR CABLE TERMINATION AMA-5256CL-100W-30A	
	DRWG No: 001004001040	
MATERIAL N/A	DRAWN Y. GU	SCALE 1:1
FINISH N/A	CHECKED APPROVED B. G.	SHEET 1 OF 1
FILENAME 001004001040ISSB.DWG		A2