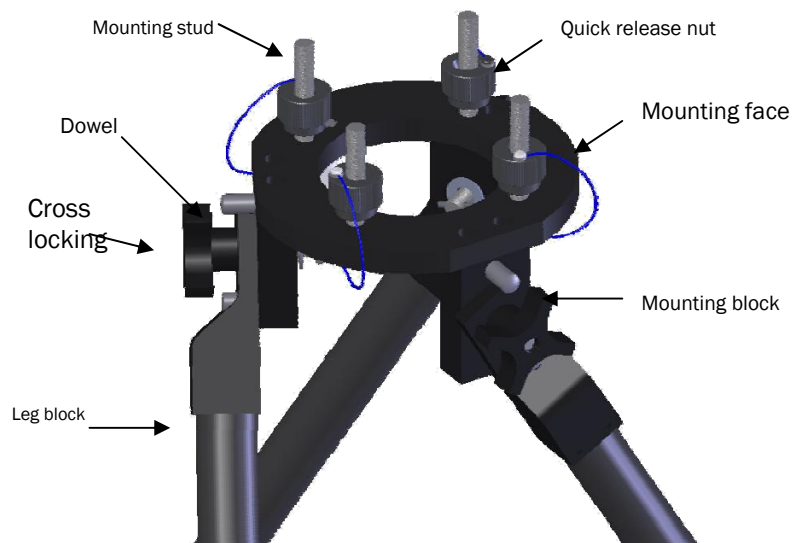




20-50-55
NSN 5985-99-740-1079
Universal Tripod
with
'CECOM' Mount

FEATURES

- CECOM 4 bolt attachment via 3/8 inch UNF studs, supplied with quick release nuts.
- Robust Construction
- Telescopic Legs with selectable straight or flip ends for weighting down
- Spiked rubber feet
- Grounding stud
- Extremely stable
- Conducting throughout for use as antenna counterpoise
- Quick assembly and disassembly
- Eye bolt for tying town.
- Light weight.



Cooper Antennas Ltd for non-USA customers
Thames Industrial Estate, Unit K, Fieldhouse Lane,
Buckinghamshire SL7 1TB, UK
Tel: +44 (0) 1628 482 360
Email: sales@cooperantennas.com
www.cooperantennas.com



Australian Representatives
ROJONE, PTY LTD.
Tel: 02 9829 1555
E: sales@rojone.com.au
www.rojone.com.au

SPECIFICATIONS

Cooper Antennas Model 20-50-55

NSN 5985-99-740-1079

Universal Tripod with 'CECOM' Mount

Height to mounting face with legs deployed and fully extended...	47 inches (1194mm)
Ground footprint in this attitude ...	53 inches (1346mm) diameter
Height to mounting face with legs deployed and fully retracted ...	29 inches (737mm)
Ground footprint in this attitude ...	34 inches (864mm) diameter
Height to mounting face with legs deployed, fully extended but with the lower section folded outwards ...	38 inches (965mm)
Ground footprint in this attitude ...	63 inches (1600mm) diameter
Height to mounting face with legs deployed, fully retracted but with the lower section folded outwards ...	21.5 inches (546mm)
Ground footprint in this attitude ...	45 inches (1143mm) diameter

The dimensions shown above are "maximum envelope" sizes.

As the legs are telescopic there is a range of mounting heights between the extremes and also the lower section of the legs could be folded inwards instead of outwards if space is restricted.

The Tripod is not intended for use with units weighing in excess of 25 lbs (11.5kg).

STOWED SIZE

Diameter	9.2 inches (234mm)
Length	33 inches (838mm)
Weight	6.7 lbs (3.05kg)

FINISH

Black anodised/ lusterless black epoxy paint and black composite material

Note: Cooper Antennas Ltd has a policy of continuous product improvement and data herein is therefore subject to change. Please check with Cooper Antennas Ltd that this data sheet is at latest issue before initiating contract activity.